

QUAD 2-INPUT AND GATE

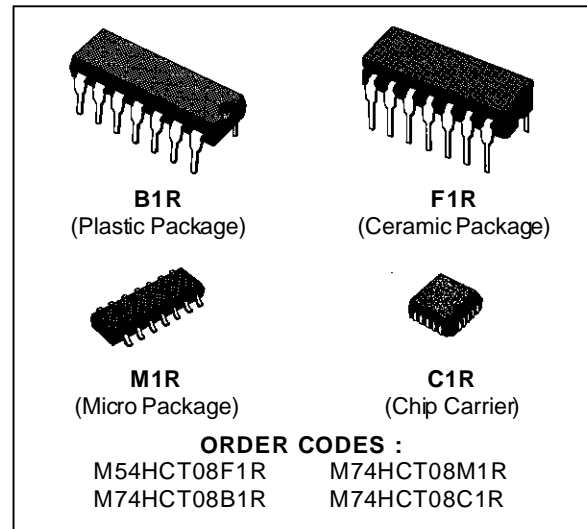
- HIGH SPEED
 $t_{PD} = 12 \text{ ns (TYP.) AT } V_{CC} = 5 \text{ V}$
- LOW POWER DISSIPATION
 $I_{CC} = 1 \mu\text{A (MAX.) AT } T_A = 25 \text{ }^\circ\text{C}$
- COMPATIBLE WITH TTL OUTPUTS
 $V_{IH} = 2\text{V (MIN.) } V_{IL} = 0.8\text{V (MAX)}$
- OUTPUT DRIVE CAPABILITY
 10 LSTTL LOADS
- SYMMETRICAL OUTPUT IMPEDANCE
 $|I_{OH}| = I_{OL} = 4 \text{ mA (MIN.)}$
- BALANCED PROPAGATION DELAYS
 $t_{PLH} = t_{PHL}$
- PIN AND FUNCTION COMPATIBLE
 WITH 54/74LS08

DESCRIPTION

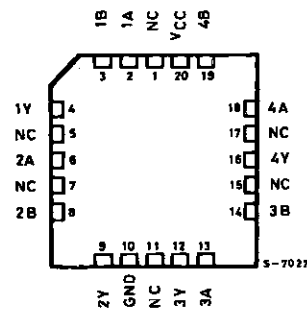
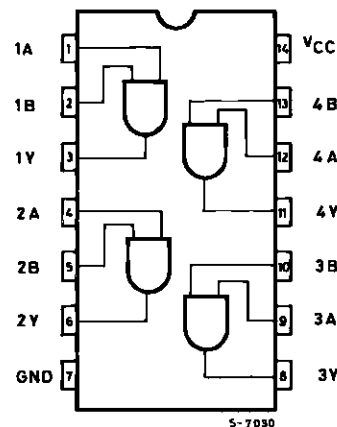
The M54/74HCT08 is a high speed CMOS QUAD 2-INPUT AND GATE fabricated in silicon gate C²MOS technology. It has the same high speed performance of LSTTL combined with true CMOS low power consumption. The internal circuit is composed of 2 stages including buffer output, which gives high noise immunity and stable output. All inputs are equipped with protection circuits against static discharge and transient excess voltage.

This integrated circuit has input and output characteristics that are fully compatible with 54/74 LSTTL logic families. M54/74HC devices are designed to directly interface HSC²MOS systems with TTL and NMOS components. They are also plug in replacements for LSTTL devices giving a reduction of power consumption.

INPUT AND OUTPUT EQUIVALENT CIRCUIT



PIN CONNECTIONS (top view)



NC =
No Internal
Connection

M54/M74HCT08

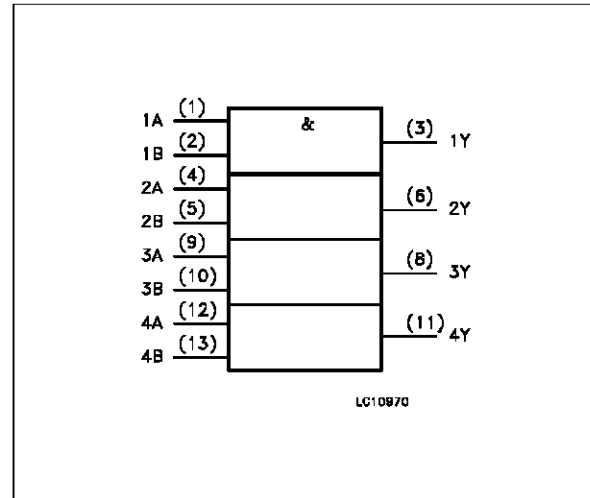
TRUTH TABLE

| A | B | Y |
|---|---|---|
| L | L | L |
| L | H | L |
| H | L | L |
| H | H | H |

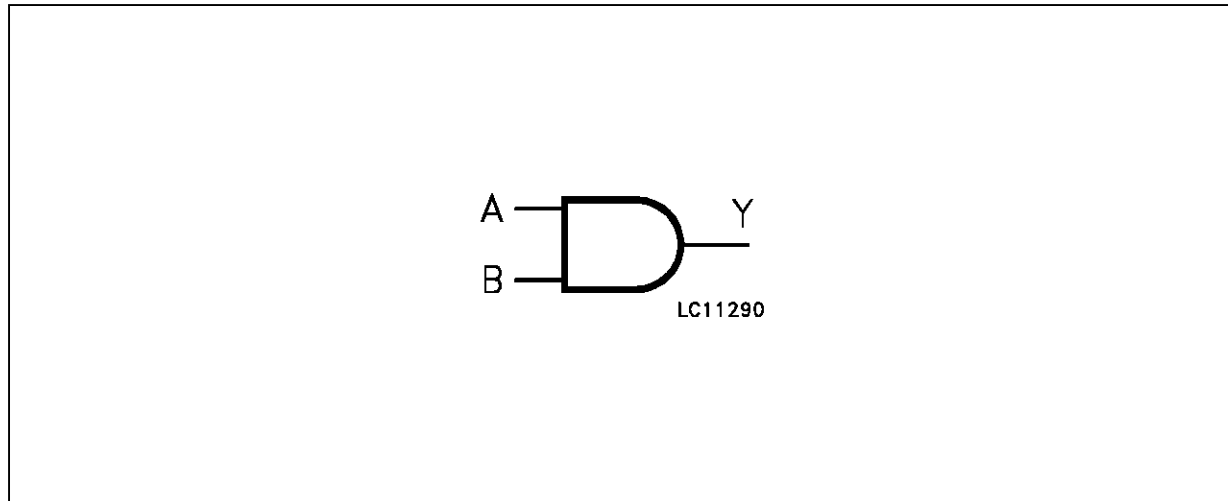
PIN DESCRIPTION

| PIN No | SYMBOL | NAME AND FUNCTION |
|--------------|-----------------|-------------------------|
| 1, 4, 9, 12 | 1A to 4A | Data Inputs |
| 2, 5, 10, 13 | 1B to 4B | Data Inputs |
| 3, 6, 8, 11 | 1Y to 4Y | Data Outputs |
| 7 | GND | Ground (0V) |
| 14 | V _{CC} | Positive Supply Voltage |

IEC LOGIC SYMBOL



SCHEMATIC CIRCUIT (Per Gate)



ABSOLUTE MAXIMUM RATING

| Symbol | Parameter | Value | Unit |
|-------------------------------------|--|-------------------------------|------|
| V _{CC} | Supply Voltage | -0.5 to +7 | V |
| V _I | DC Input Voltage | -0.5 to V _{CC} + 0.5 | V |
| V _O | DC Output Voltage | -0.5 to V _{CC} + 0.5 | V |
| I _{IK} | DC Input Diode Current | ± 20 | mA |
| I _{OK} | DC Output Diode Current | ± 20 | mA |
| I _O | DC Output Source Sink Current Per Output Pin | ± 25 | mA |
| I _{CC} or I _{GND} | DC V _{CC} or Ground Current | ± 50 | mA |
| P _D | Power Dissipation | 500 (*) | mW |
| T _{stg} | Storage Temperature | -65 to +150 | °C |
| T _L | Lead Temperature (10 sec) | 300 | °C |

Absolute Maximum Ratings are those values beyond which damage to the device may occur. Functional operation under these condition is not implied.

(*) 500 mW: ± 65 °C derate to 300 mW by 10mW/°C: 65 °C to 85 °C

RECOMMENDED OPERATING CONDITIONS

| Symbol | Parameter | Value | Unit |
|------------|---|---------------------------|----------|
| V_{CC} | Supply Voltage | 4.5 to 5.5 | V |
| V_I | Input Voltage | 0 to V_{CC} | V |
| V_O | Output Voltage | 0 to V_{CC} | V |
| T_{op} | Operating Temperature: M54HC Series M74HC Series | -55 to +125 -40 to +85 | °C °C |
| t_r, t_f | Input Rise and Fall Time ($V_{CC} = 4.5$ to $5.5V$) | 0 to 500 | ns |

DC SPECIFICATIONS

| Symbol | Parameter | Test Conditions | | Value | | | | | | Unit | | |
|-----------------|--------------------------------------|-----------------|---|---|------|------|---|------|--|------|---------|---------------|
| | | V_{CC} (V) | | $T_A = 25\text{ }^\circ\text{C}$ 54HC and 74HC | | | -40 to $85\text{ }^\circ\text{C}$ 74HC | | -55 to $125\text{ }^\circ\text{C}$ 54HC | | | |
| | | | | Min. | Typ. | Max. | Min. | Max. | Min. | | Max. | |
| V_{IH} | High Level Input Voltage | 4.5 to 5.5 | | 2.0 | | | 2.0 | | 2.0 | | V | |
| V_{IL} | Low Level Input Voltage | 4.5 to 5.5 | | | | 0.8 | | 0.8 | | 0.8 | V | |
| V_{OH} | High Level Output Voltage | 4.5 | $V_I = V_{IH}$ or V_{IL} | $I_O = -20\text{ }\mu\text{A}$ | 4.4 | 4.5 | | 4.4 | | 4.4 | | V |
| | | | | $I_O = -4.0\text{ mA}$ | 4.18 | 4.31 | | 4.13 | | 4.10 | | |
| V_{OL} | Low Level Output Voltage | 4.5 | $V_I = V_{IH}$ or V_{IL} | $I_O = 20\text{ }\mu\text{A}$ | | 0.0 | 0.1 | | 0.1 | | 0.1 | V |
| | | | | $I_O = 4.0\text{ mA}$ | | 0.17 | 0.26 | | 0.33 | | 0.4 | |
| I_I | Input Leakage Current | 5.5 | $V_I = V_{CC}$ or GND | | | | ± 0.1 | | ± 1 | | ± 1 | μA |
| I_{CC} | Quiescent Supply Current | 5.5 | $V_I = V_{CC}$ or GND | | | | 1 | | 10 | | 20 | μA |
| ΔI_{CC} | Additional worst case supply current | 5.5 | Per Input pin $V_I = 0.5V$ or $V_I = 2.4V$ Other Inputs at V_{CC} or GND $I_O = 0$ | | | | 2.0 | | 2.9 | | 3.0 | mA |

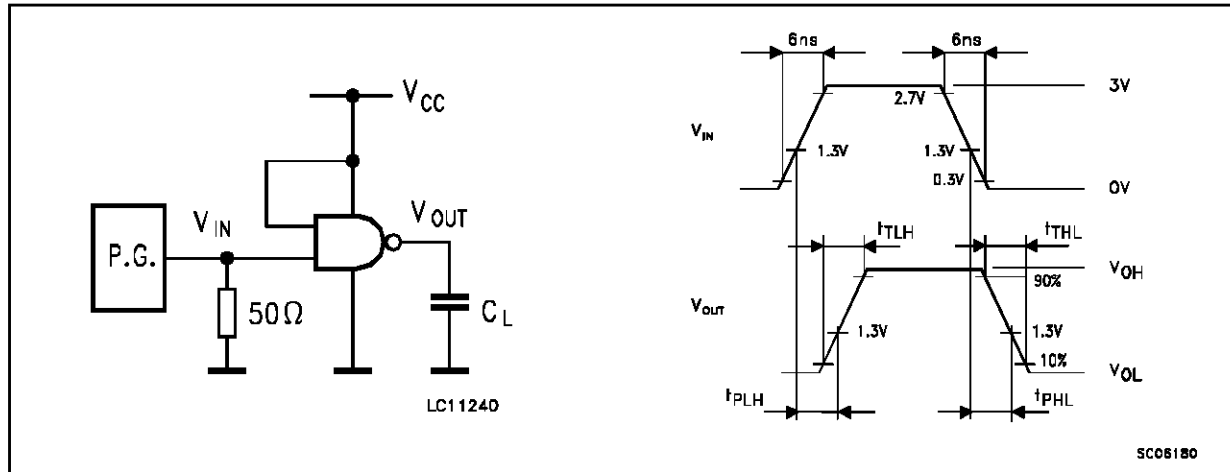
M54/M74HCT08

AC ELECTRICAL CHARACTERISTICS ($C_L = 50 \text{ pF}$, Input $t_r = t_f = 6 \text{ ns}$)

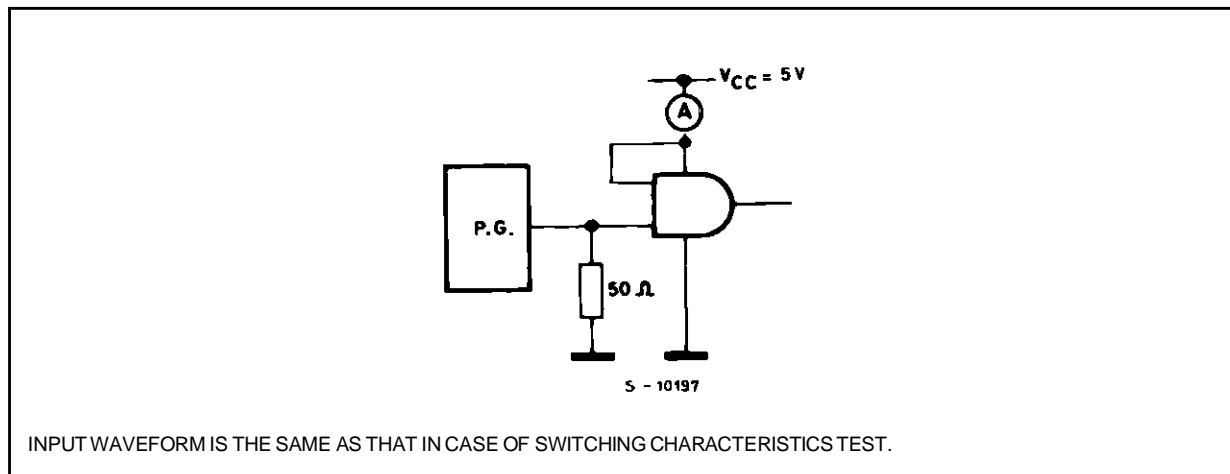
| Symbol | Parameter | Test Conditions | | Value | | | | | | Unit | |
|------------------------|-------------------------------|-----------------|--|--|------|------|---|------|--|------|------|
| | | V_{CC} (V) | | $T_A = 25 \text{ }^\circ\text{C}$ 54HC and 74HC | | | $-40 \text{ to } 85 \text{ }^\circ\text{C}$ 74HC | | $-55 \text{ to } 125 \text{ }^\circ\text{C}$ 54HC | | |
| | | | | Min. | Typ. | Max. | Min. | Max. | Min. | | Max. |
| t_{TLH} t_{THL} | Output Transition Time | 4.5 | | | 8 | 15 | | 19 | | 22 | ns |
| t_{PLH} t_{PHL} | Propagation Delay Time | 4.5 | | | 13 | 21 | | 26 | | 32 | ns |
| C_{IN} | Input Capacitance | | | | 5 | 10 | | 10 | | 10 | pF |
| $C_{PD} (*)$ | Power Dissipation Capacitance | | | | 38 | | | | | | pF |

(*) C_{PD} is defined as the value of the IC's internal equivalent capacitance which is calculated from the operating current consumption without load. (Refer to Test Circuit). Average operating current can be obtained by the following equation. $I_{CC(opr)} = C_{PD} \cdot V_{CC} \cdot f_{IN} + I_{CC}/4$ (per Gate)

SWITCHING CHARACTERISTICS TEST CIRCUIT



TEST CIRCUIT I_{CC} (Opr.)



Plastic DIP14 MECHANICAL DATA

| DIM. | mm | | | inch | | |
|------|------|-------|------|-------|-------|-------|
| | MIN. | TYP. | MAX. | MIN. | TYP. | MAX. |
| a1 | 0.51 | | | 0.020 | | |
| B | 1.39 | | 1.65 | 0.055 | | 0.065 |
| b | | 0.5 | | | 0.020 | |
| b1 | | 0.25 | | | 0.010 | |
| D | | | 20 | | | 0.787 |
| E | | 8.5 | | | 0.335 | |
| e | | 2.54 | | | 0.100 | |
| e3 | | 15.24 | | | 0.600 | |
| F | | | 7.1 | | | 0.280 |
| I | | | 5.1 | | | 0.201 |
| L | | 3.3 | | | 0.130 | |
| Z | 1.27 | | 2.54 | 0.050 | | 0.100 |



Ceramic DIP14/1 MECHANICAL DATA

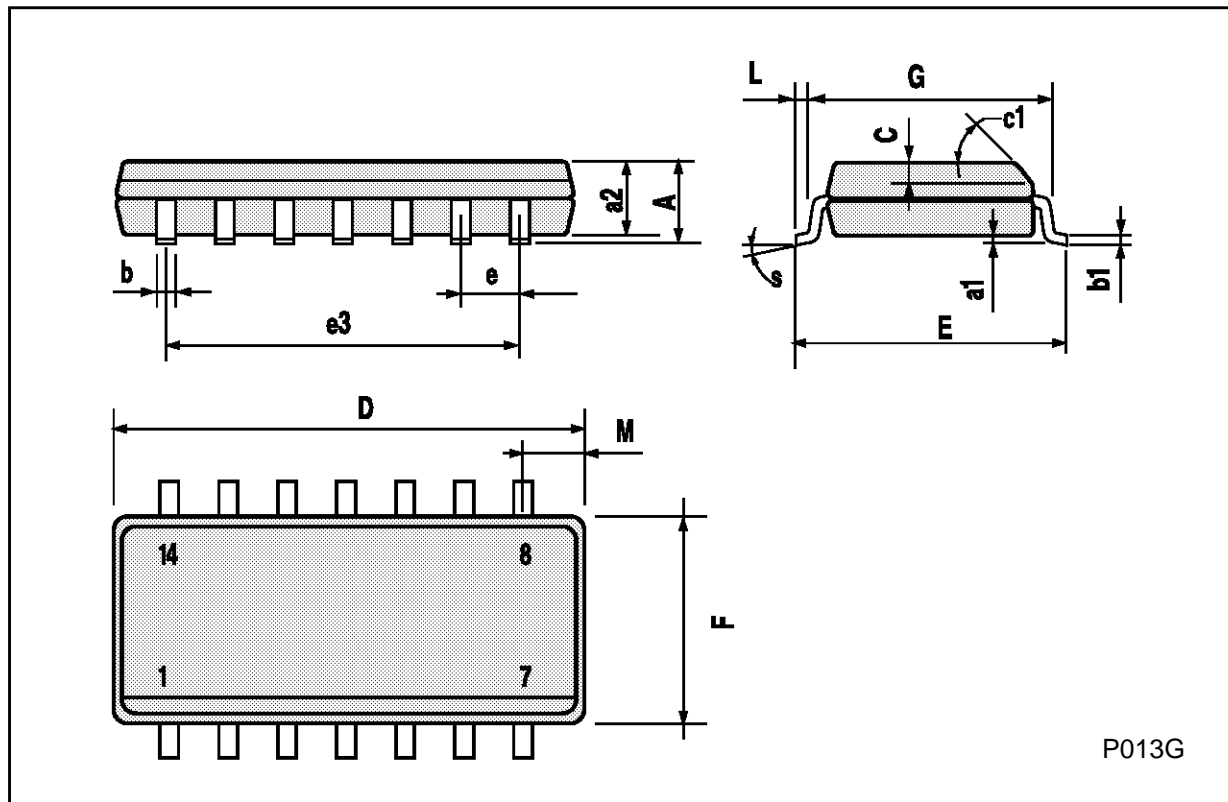
| DIM. | mm | | | inch | | |
|------|------|-------|------|-------|-------|-------|
| | MIN. | TYP. | MAX. | MIN. | TYP. | MAX. |
| A | | | 20 | | | 0.787 |
| B | | | 7.0 | | | 0.276 |
| D | | 3.3 | | | 0.130 | |
| E | 0.38 | | | 0.015 | | |
| e3 | | 15.24 | | | 0.600 | |
| F | 2.29 | | 2.79 | 0.090 | | 0.110 |
| G | 0.4 | | 0.55 | 0.016 | | 0.022 |
| H | 1.17 | | 1.52 | 0.046 | | 0.060 |
| L | 0.22 | | 0.31 | 0.009 | | 0.012 |
| M | 1.52 | | 2.54 | 0.060 | | 0.100 |
| N | | | 10.3 | | | 0.406 |
| P | 7.8 | | 8.05 | 0.307 | | 0.317 |
| Q | | | 5.08 | | | 0.200 |



P053C

SO14 MECHANICAL DATA

| DIM. | mm | | | inch | | |
|------|------------|------|------|-------|-------|-------|
| | MIN. | TYP. | MAX. | MIN. | TYP. | MAX. |
| A | | | 1.75 | | | 0.068 |
| a1 | 0.1 | | 0.2 | 0.003 | | 0.007 |
| a2 | | | 1.65 | | | 0.064 |
| b | 0.35 | | 0.46 | 0.013 | | 0.018 |
| b1 | 0.19 | | 0.25 | 0.007 | | 0.010 |
| C | | 0.5 | | | 0.019 | |
| c1 | 45° (typ.) | | | | | |
| D | 8.55 | | 8.75 | 0.336 | | 0.344 |
| E | 5.8 | | 6.2 | 0.228 | | 0.244 |
| e | | 1.27 | | | 0.050 | |
| e3 | | 7.62 | | | 0.300 | |
| F | 3.8 | | 4.0 | 0.149 | | 0.157 |
| G | 4.6 | | 5.3 | 0.181 | | 0.208 |
| L | 0.5 | | 1.27 | 0.019 | | 0.050 |
| M | | | 0.68 | | | 0.026 |
| S | 8° (max.) | | | | | |



PLCC20 MECHANICAL DATA

| DIM. | mm | | | inch | | |
|------|------|------|-------|-------|-------|-------|
| | MIN. | TYP. | MAX. | MIN. | TYP. | MAX. |
| A | 9.78 | | 10.03 | 0.385 | | 0.395 |
| B | 8.89 | | 9.04 | 0.350 | | 0.356 |
| D | 4.2 | | 4.57 | 0.165 | | 0.180 |
| d1 | | 2.54 | | | 0.100 | |
| d2 | | 0.56 | | | 0.022 | |
| E | 7.37 | | 8.38 | 0.290 | | 0.330 |
| e | | 1.27 | | | 0.050 | |
| e3 | | 5.08 | | | 0.200 | |
| F | | 0.38 | | | 0.015 | |
| G | | | 0.101 | | | 0.004 |
| M | | 1.27 | | | 0.050 | |
| M1 | | 1.14 | | | 0.045 | |



Information furnished is believed to be accurate and reliable. However, SGS-THOMSON Microelectronics assumes no responsibility for the consequences of use of such information nor for any infringement of patents or other rights of third parties which may result from its use. No license is granted by implication or otherwise under any patent or patent rights of SGS-THOMSON Microelectronics. Specifications mentioned in this publication are subject to change without notice. This publication supersedes and replaces all information previously supplied. SGS-THOMSON Microelectronics products are not authorized for use as critical components in life support devices or systems without express written approval of SGS-THOMSON Microelectronics.

© 1994 SGS-THOMSON Microelectronics - All Rights Reserved

SGS-THOMSON Microelectronics GROUP OF COMPANIES

Australia - Brazil - France - Germany - Hong Kong - Italy - Japan - Korea - Malaysia - Malta - Morocco - The Netherlands -
Singapore - Spain - Sweden - Switzerland - Taiwan - Thailand - United Kingdom - U.S.A